



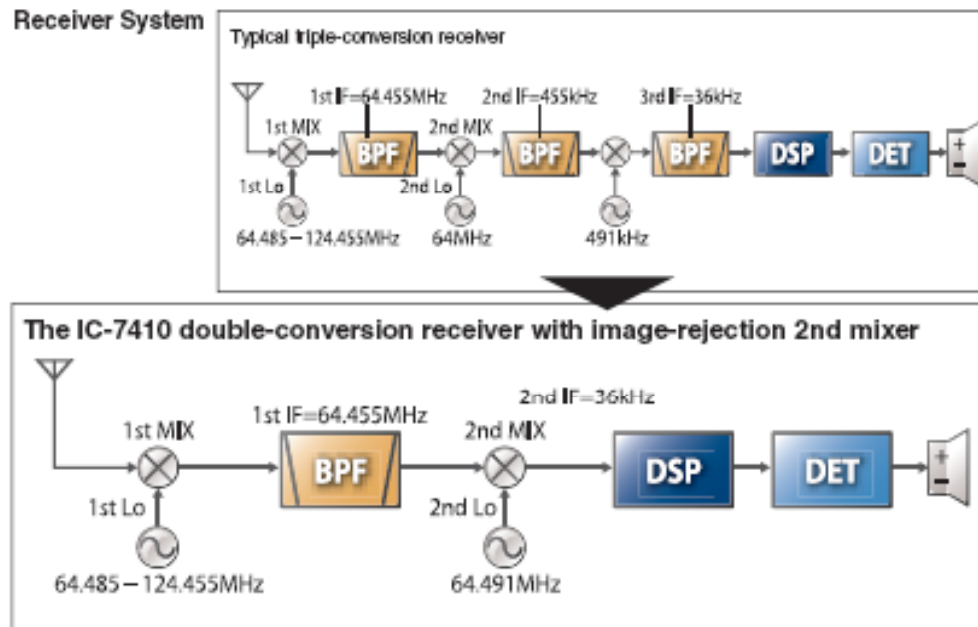
# IC-7410

Time to upgrade your PRO



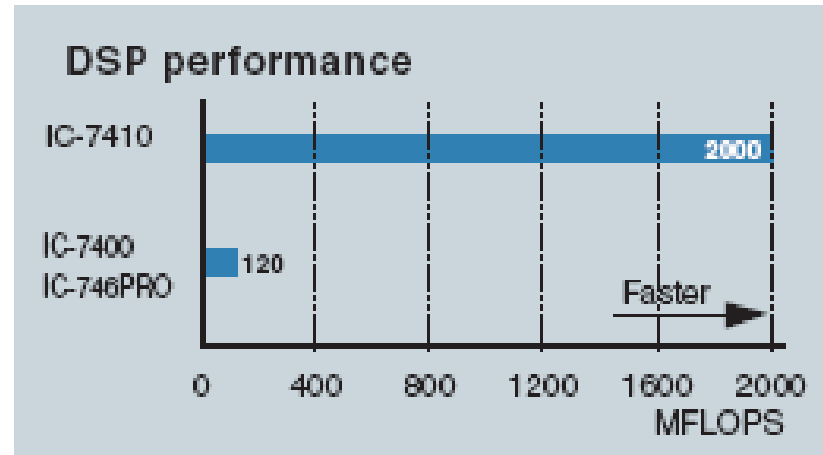
## IC-7410

High Performance DSP in an everyday radio



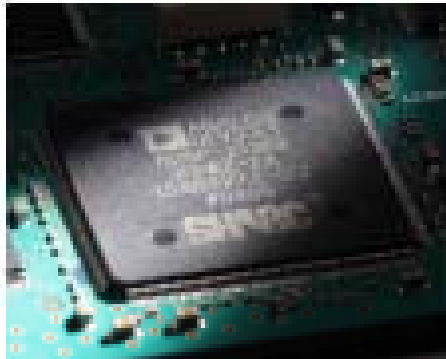
## Simple Receiver Design

Reducing the number of IF stages in a receiver reduces the image and internal noise insertion points.



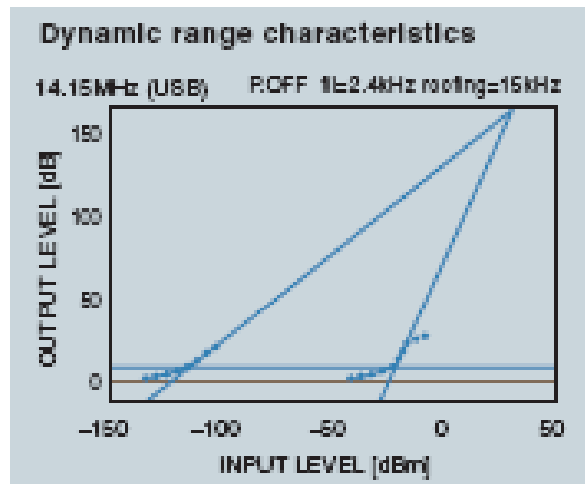
## High Performance DSP

The IC-7410 employs a much higher speed DSP unit compared to the IC-746PRO/7400's DSP unit.



## DSP Expertise

Employing the ADSP-21369 (DSP) and AK4620 (AD/DA) to provide a powerhouse of DSP performance in an economical HF/6m Rig.



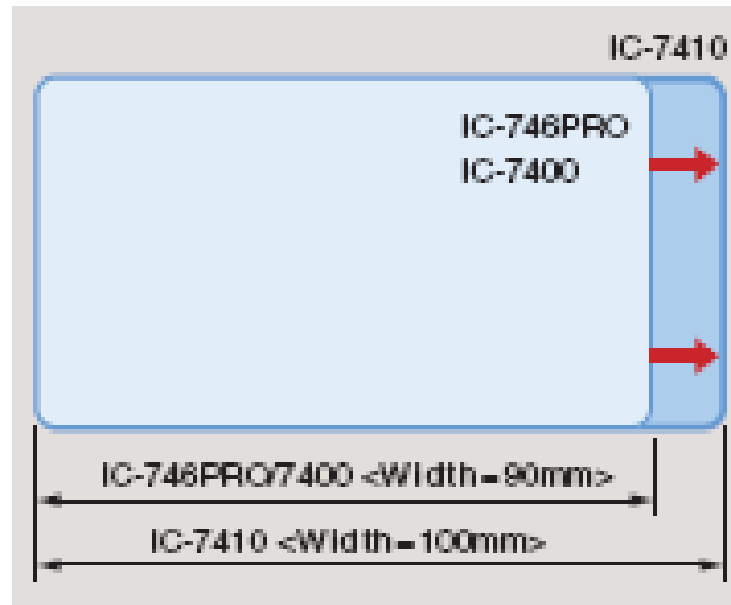
## **+30 dBm third-order intercept point (IP3)**

Icom's analog RF circuit experience over a number of years combined with the latest DSP software technology results in +30dBm IP3 equivalent to the IC-7600.



### **Three 1<sup>st</sup> IF Filters (3/6/15kHz)**

The IC-7410 comes with a built-in 15kHz 1st IF filter and can accept up to two optional filters (3kHz FL-431 and 6kHz FL-430).



## Large, Multi-function LCD

The large multi-function LCD shows frequency, 9-character channel name, channel number, multi functional meter (includes S-meter, RF output, SWR and ALC level).



## Rig Control

The IC-7410 has a standard type B USB connector for rig control as well as modulation input, audio output, RTTY demodulator output and CI-V command can be controlled via the USB cable.



## Large heat sink plus TCXO

When compared to the IC-746PRO/7400, the IC-7410's large heat sink improves heat dissipation, as well as a standard TCXO for houses of heavy-duty operation.